



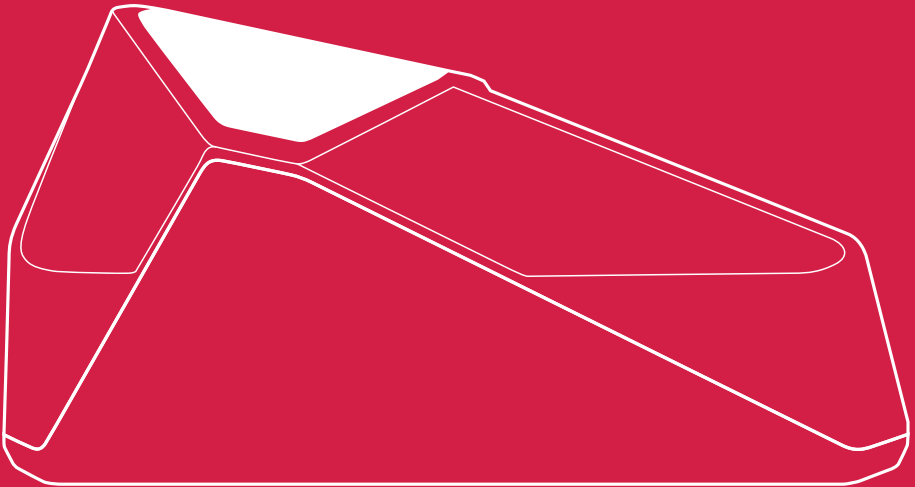
---

## **Moniron Dec ERGO**

Automatic currency detector

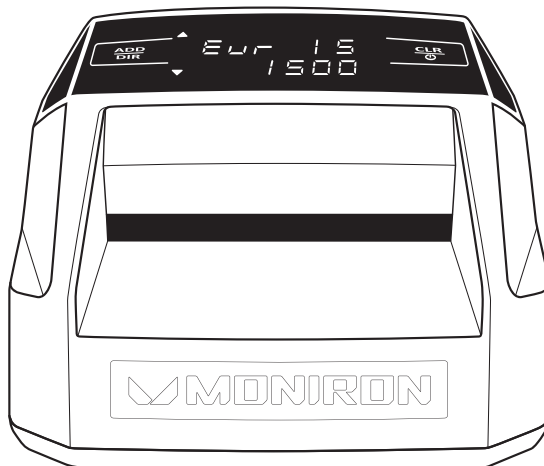
---

User's Manual



# Moniron Dec ERGO

Automatic currency detector



EN

# MONIRON

Thank you for choosing PRO Intellect Technology equipment.  
We hope Moniron Dec ERGO automatic currency detector will be easy to use and provide high-quality detection throughout its lifetime.

# Contents

<b>01. Features</b> .....	3
<b>02. Overview</b> .....	3
<b>03. Getting Started</b> .....	4
<b>04. Operation</b> .....	4
<b>05. Connection to PC</b> .....	5
<b>06. Software Updates</b> .....	5
<b>07. Error Codes</b> .....	6
<b>08. Specifications</b> .....	7
<b>09. Support and Maintenance</b> .....	8
<b>10. Warranty</b> .....	8

## EN

### **PRO Intellect Technology introduces Moniron Dec ERGO automatic currency detector which provides an expert level of banknote detection.**

Moniron Dec ERGO uses a unique integrated banknote analysis technology based on a wide range of security features. The detector is adjustable for any world currency.

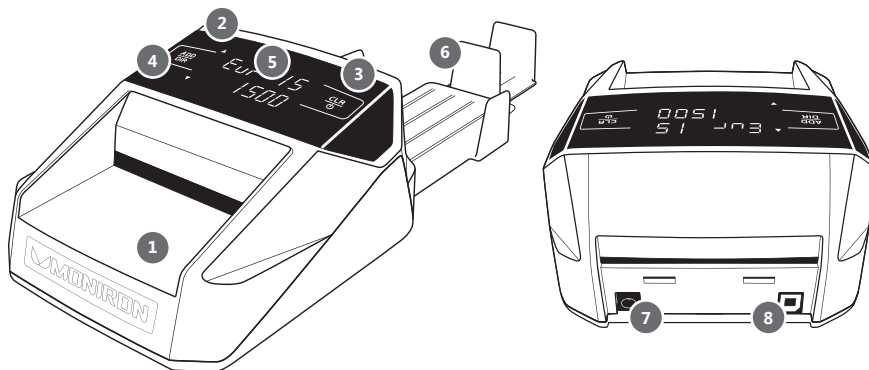
It is user-friendly and doesn't require any special training or extensive knowledge of banknote security features. The detector has all essential functions for easy and convenient operation.

Moniron Dec ERGO is designed for operation in any businesses where cash is accepted and processed.

Moniron Dec ERGO is ideal for back offices at stores as well as for checkout areas in retail businesses with high-value cash receipts: electronics and fashion stores, boutiques and design studios, furniture and jewelry stores.

High quality of Moniron Dec detection system is confirmed by the official certificate of the European Central Bank.

*More information about Moniron Dec ERGO as well as other cash processing equipment is available at [www.profindustry.com](http://www.profindustry.com)*



## 01. Features

- Full-scale banknote detection:
  - Infrared (IR) detection
  - Ultraviolet (UV) detection
  - Spectral analysis of ink
  - Detection of magnetic marks
  - Optical density detection
  - Banknote size detection
- Automatic detection of currency and denomination
- Summing up denominations
- Verification speed: up to 100 banknotes per minute
- Audio and code indication
- Forward and backward banknote ejection
- Compact size
- Well thought-out ergonomic design
- PC connection: software updates, on-screen operation report, operation report download (option)

## 02. Overview

1. Feeding tray
2. Banknote ejection mode indicators:  
▲ forward, ▼ backward
3. **CLR/⏻** Display reset and **power button**
4. **ADD/DIR** Selection button for Add mode and banknote ejection mode
5. Quantity of verified banknotes, their denominations and currency type
6. Removable stacker tray
7. Power connector
8. USB port (type B) for PC connection

EN

## 03. Getting Started

### Installation Instructions

Choose even surfaces to install the detector. Avoid exposure to bright light, direct sunlight, open fire, water, or dust.

### Operating Instructions

- Do not use the detector while it is affected by vibration, exposed to bright light or direct sunlight
- Use only the adapter supplied with the detector
- If the detector was stored at low temperature for a long time, keep it at room temperature without packaging for at least 6 hours before use
- Turn the detector off if it has not been used for a long time
- Protect the detector against moisture
- Avoid dropping, hitting or shaking the detector – all of the above may cause defects and breakdowns during operation

EN

### Power-on

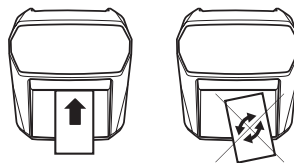


Use the adapter supplied with the detector to connect it to power supply (100–240V, 50–60 Hz). Press and hold the **CLR/⏻** button for 3 seconds to turn on the detector. After the self-diagnostics procedure is complete, the detector will be ready for operation.

## 04. Operation

### Banknote Verification

To verify a banknote place it in the feeding tray.



**!** *If the position of the banknote in the feeding tray is incorrect, it will be identified as suspicious and an error code will be displayed.*

### Feeding Instructions

- The banknote should be flat and even, without folds or creases
- Do not place banknotes at an angle
- Make sure the banknote is in a correct orientation during feeding (*learn more at [www.moniron.com](http://www.moniron.com)*)

After that the detector will start verification automatically. If the banknote is genuine, its currency type and denomination will be displayed on the screen. If the banknote is suspicious or unidentified, it will be dispensed in the direction opposite to the current banknote ejection mode. A beep will follow, with an error message displayed on the screen.

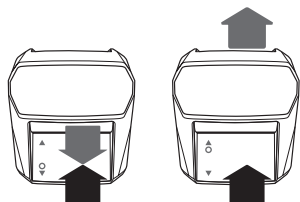
**!** *If the detector identifies a banknote as suspicious, try to verify it again: it is possible that it has been placed incorrectly in the feeding tray.*

## Add Mode

Press the **ADD/DIR** button to switch to the Add mode. The "ADD" mode indicator is displayed on the screen. While the detector consequently verifies several banknotes of the same denomination, the display shows the number of processed banknotes and their total amount. Press **ADD/DIR** again to switch off the Add mode. The "OnE" indicator displayed means that the detector is now in the single banknote verification mode.

## Banknote Ejection Modes

You can select either of two banknote ejection modes. Forward mode ▲: the verified banknote is returned at the opposite side from the feeding tray. Backward mode ▼: the verified banknote is returned back to the feeding tray. Press and hold the **ADD/DIR**.



**!** *Using the Forward mode is recommended for verifying a bundle of banknotes. For bundle verification, the detector is equipped with a special stacker tray for 100 banknotes. The Backward mode is convenient in case of limited space or for single banknote verification.*

## Display Reset and Power-off

You can reset the data displayed on the screen at any moment by pressing the **CLR/⏻** button. Press the **CLR/⏻** button and hold it for 3 seconds to turn off the detector.

## 05. Connection to PC

Moniron Dec ERGO automatic detector can be connected to a PC via a USB connector (type B) located on the back panel of the device. When the detector is connected to a PC or a laptop with the special software installed, banknote processing data is displayed on the screen, and the statistics of the verification process are available for download (option).

EN

## 06. Software Updates

Efficient operation of Moniron Dec ERGO depends on prompt software updates. Alongside with the emission of new banknote types and modifications, new software for the detector is developed. You can install it at the Service Center. Full contact information is available at our official website:

**[www.moniron.com](http://www.moniron.com)**

## 07. Error Codes

In case a suspicious banknote is detected or a banknote cannot be identified, an error code is displayed. Errors may occur if a genuine banknote is crumpled, creased, worn, dirty, washed, torn, taped, faded, or if it has been exposed to aggressive environment, defaced, or has unauthorized text.

**!** Please note that banknotes with new designs occasionally appear in circulation. If errors occur during verification of such banknotes, a new version of the software has to be installed at the Service Center.

Error code	Possible cause	Action
Error 0000000	A suspicious banknote is detected	<ol style="list-style-type: none"> <li>1. Make sure the banknote is in the correct position in the feeding tray.</li> <li>2. Repeat verification of the banknote. If the error code is displayed again, the banknote cannot be identified as genuine.</li> </ol>
Ec	Incorrect capture of the banknote or a jammed banknote	Repeat verification of the banknote
EO ES	The banknote was jammed while processed in the forward or backward mode	Repeat verification of the banknote
EE	Low operation speed	Contact the Service Center
EUL	The software is missing	Contact the Service Center

EN

## 08. Specifications

**!** *The manufacturer reserves the right to make software and engineering modifications which are not specified in this User's Manual or the table of specifications below.*

Moniron Dec ERGO	
Device type	Automatic currency detector
Currency type	EUR (standard configuration)
Banknote feeding by side	Any
Banknote orientation in the feeding tray	Any
Capacity of the removable stacker tray, banknotes	min. 100
Banknote ejection	2 modes: forward and backward
Detection	Infrared detection • Visible image • Ultraviolet detection • Magnetic detection • Spectral analysis of ink • Optical density detection • Banknote size detection
Operation modes	Verification modes: Single banknote verification and Add mode • Automatic currency type detection • Audio indication
On-screen data	Banknote denomination • Amount and quantity of verified banknotes • Currency type • Error code
Verification speed, banknotes per minute (max)	100
Port for PC connection	USB 2.0 type B standard
Power	Voltage: 12 V • Current: ≤800 mA • Power supply: 100–240 V, 50/60 Hz (AC adapter; car adapter can be used)
Operating temperature, C°	+10 ~ +40
Dimensions, mm	158×136×83
Net weight, kg	0,5

EN



## 09. Support and Maintenance

If you need additional information about software updates, service and maintenance specifics, or have other questions about use and operation of this device, please visit [www.moniron.com](http://www.moniron.com) or contact our customer support at: +49 40 657 98 07 68 (Europe Headquarters). The basic software version update is a paid service. The list of our authorized service centers is available in the Services & Support section at [www.profindustry.com](http://www.profindustry.com)

## 10. Warranty

EN

The Manufacturer guarantees proper performance of the device during the warranty period from the date of purchase, provided the user complies with storage and operation requirements specified in this User's Manual.

Please keep the original packaging, User's Manual and filled warranty certificate. The warranty is revoked in case the device has been shipped without its original packaging or its operation and maintenance requirements have not been complied with. The Manufacturer is not liable for any defects or failures that occur due to improper transportation, storage or operation as well as due to mechanical damages. In case the device fails to function properly during the warranty period, the owner is entitled to have it repaired at the Service Center. The device is accepted for warranty repair clean, free of dust and dirt. Cleaning services are not included in warranty maintenance and are provided at extra charge.

Warranty maintenance does not include training on the device operation or any functions aimed to ensure its performance (plugging, testing, adjustment, routine maintenance, etc.) which can be performed by the user according to the instructions in this User's Manual.

The Manufacturer reserves the right to make modifications in the software and engineering design which are not described in this User's Manual.

Warranty services are not provided if:

- the warranty certificate is missing or incorrectly filled;
- the information in the warranty certificate has been edited;
- the operating instructions specified in the "Operating Instructions" section have not been followed;
- the device has mechanical damages;
- there are foreign items or liquid inside the device;
- there is evidence that the device has been unsealed and opened.

This warranty does not cover accumulators, power adapters, power supply units, connectors, lamps, batteries, belts, fuses, brushes, parts of the device housing or any other parts that have their own limited lifetime. The warranty does not cover defects or failures caused by unstable environmental conditions or power failures. Replaced defective parts are property of PRO Intellect Technology. Defective equipment is shipped to the Service Center at the owner's expense.

*More information about Moniron Dec ERGO automatic currency detector is available at [www.moniron.com](http://www.moniron.com)*



[www.pro-intell.com](http://www.pro-intell.com)

© PRO Intellect Technology



 **MONIRON**